

## LCD/Plasma wall mount Motion L EFW 8325

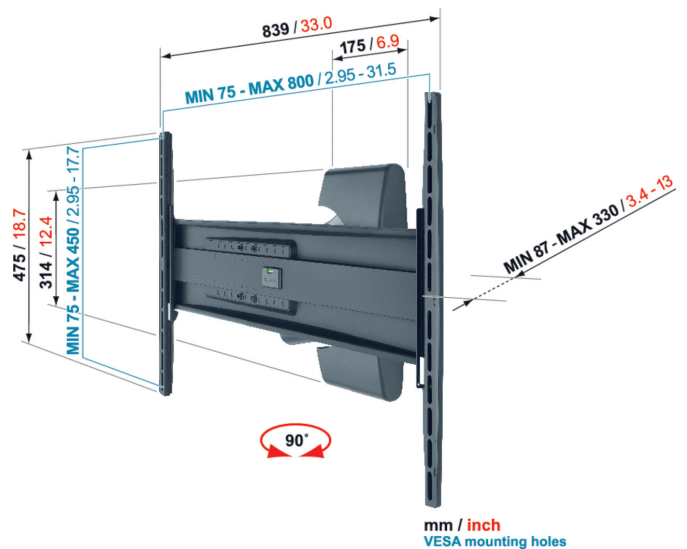
- Screen size (Min. - Max.): 32 – 50 " / 81 – 127 cm
- Max. weight: 45 kg / 99 lbs
- Turn: 90 °
- Min. distance to the wall (mm): 87 mm
- VESA mounting holes: 75x75mm up to 800x450mm
- Guarantee: Lifelong
- Available colours: Black-Dolphingrey

Vogel's Motion mount EFW 8325 is suitable for flat TV's from 32 up to 50 inch. It has a maximum turning range of 90 degrees (45 degrees both ways) and features the patented Cable Inlay System (CIS®) to conceal all of your cables.





## LCD/Plasma wall mount Motion EFW 8325



If you want the ultimate movie theatre experience, sit right in front of your TV instead of having to watch at an angle. The Vogel's 8000 Motion series lets you move your TV for the best view. It turns 45 degrees side-to-side so you always get the best view. Thanks to the patented Smart Movement Mechanism (SMM®) you can move even the biggest flat screen with the touch of a fingertip.

Installing is very easy. There's even a level in the mount to make sure it hangs perfectly straight. The smart AutoLock® holds your screen securely in place so you don't have to worry about the safety of your valuable TV.

Create your own entertainment centre and combine this wall support with the 8000-series Column system and Audio/DVD multi support.

## Features

- Autolock®
- Integrated spirit level
- VESA mounting holes: 75x75mm up to 800x450mm.
- Motion - 90° turning range.
- Additional - Screen Protection System (SPS®)
- OPTIONAL -Smart Movement Mechanism (SMM®) - fingertip movement.
- Cable Inlay System (CIS®) - all cables out of sight.

## Logistic information

- Packaging size: 342x942x105 mm
- Max. weight: 6 kg / 13 lbs
- EAN Code: 8712285315541