



LCD/Plasma wall mount Motion+ M EFW8245

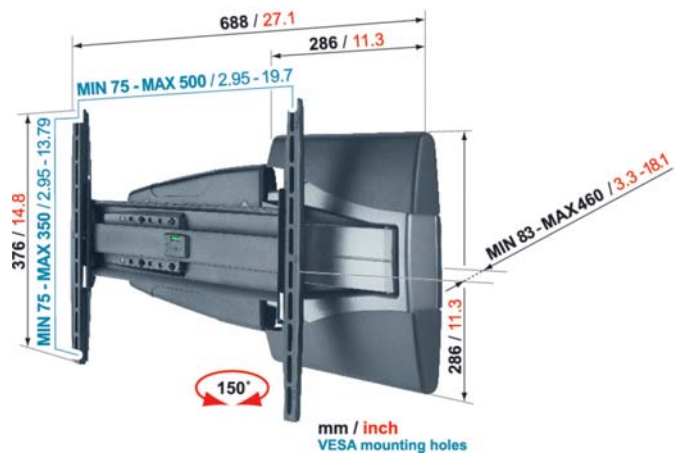
- Screen size (Min. - Max.): 26 – 37 " / 66 – 94 cm
- Max. weight: 30 kg / 66 lbs
- Turn: 150 °
- Min. distance to the wall (mm): 83 mm
- VESA mounting holes: 75x75mm up to 500x350mm
- Guarantee: Lifelong
- Available colours: Black-Dolphingrey

If you want maximum flexibility and viewing pleasure, choose the Vogel's 8000 Motion+ EFW8245. It is suitable for flat TV's from 26 up to 37 inch and it has a maximum turning range of 150 degrees (75 degrees side-to-side). The 90 degree option even lets you turn your TV perpendicular to the wall.





LCD/Plasma wall mount EFW8245



This mount offers convenience and safety. The Smart Movement Mechanism (SMM®) lets you move even the biggest flat screen with the touch of a fingertip, while the Screen Protection System (SPS®) protects your flat screen from bumping into the wall when turning. And the Cable Inlay System (CIS®) conceals all of your cables out of sight.

Installing is very easy. There's even a level in the mount to make sure it hangs perfectly straight. The smart AutoLock® holds your screen securely in place so you don't have to worry about the safety of your valuable TV.

Create your own entertainment centre and combine this wall support with the 8000-series Column system and Audio/DVD multi support.

Features

- Autolock®
- Integrated spirit level
- VESA mounting holes: 75x75mm up to 500x350mm.
- Cable Inlay System (CIS®) - all cables out of sight.
- Motion+ - 150° turning range.
- Full 90° corner option.
- Screen Protection System (SPS®) which protects both screen and wall.
- Smart Movement Mechanism (SMM®)

Logistic information

- Packaging size: 308x625x113 mm
- Max. weight: 5 kg / 12 lbs
- EAN Code: 8712285315503